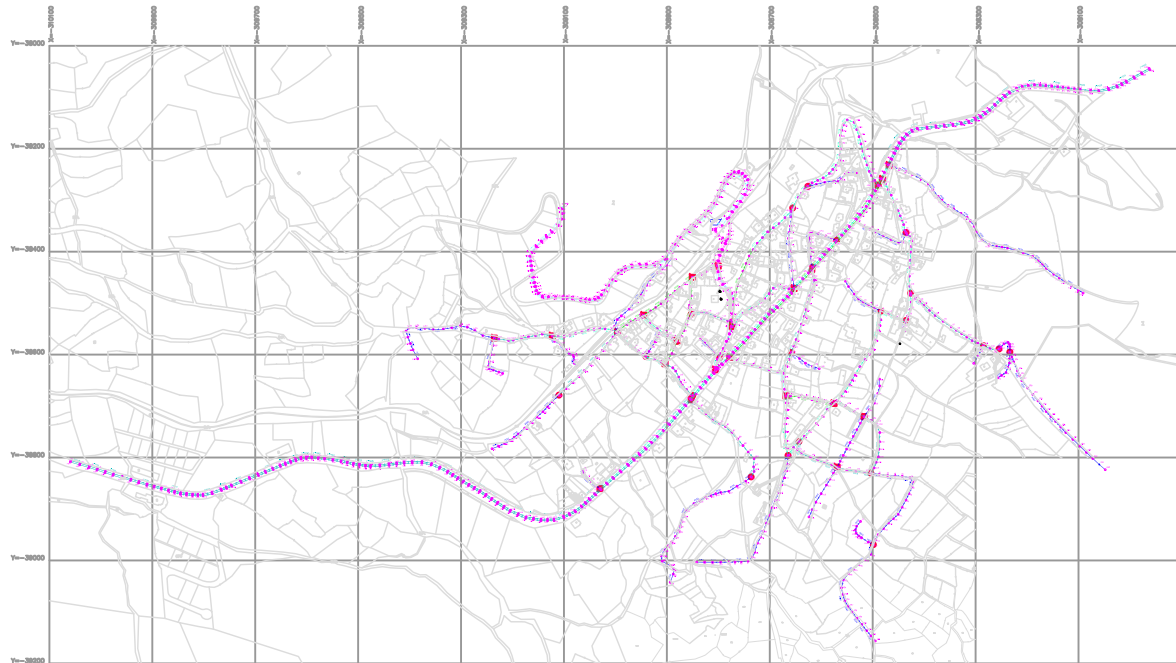


# Lebanese Republic



Ministry of Energy and Water  
Directorate of Water & Electrical Resources



## MREIJET Potable Water Network




















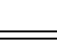


# MREIJET Potable Water Network

## List of Drawings:

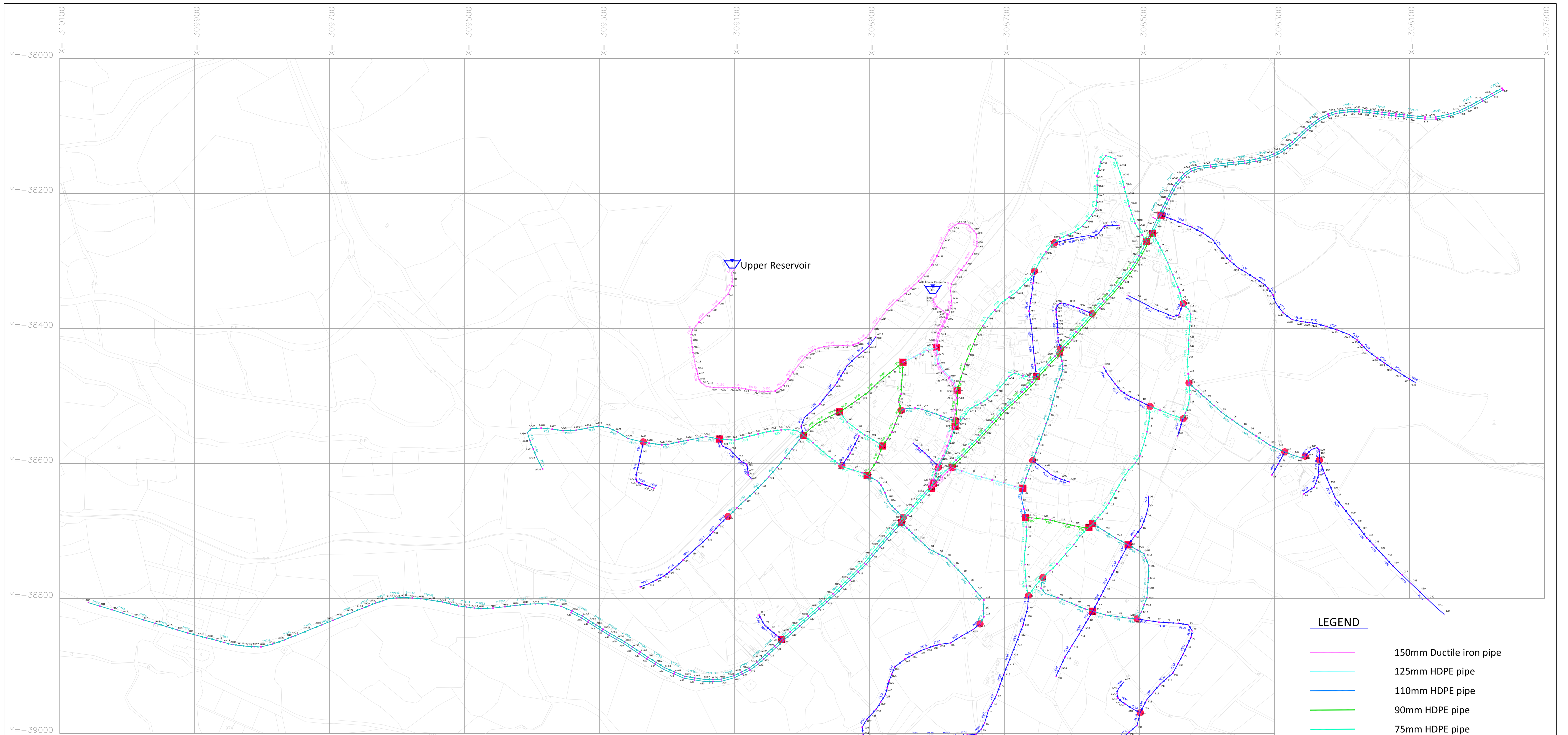
Dwg: 1/6	Plan view 1/2000 Manholes Details
Dwg: 2/6	Longitudinal Profile: Vertical: 1/200 Horizontal: 1/2000
Dwg: 3/6	Longitudinal Profile: Vertical: 1/200 Horizontal: 1/2000
Dwg: 4/6	Longitudinal Profile: Vertical: 1/200 Horizontal: 1/2000
Dwg: 5/6	Longitudinal Profile: Vertical: 1/200 Horizontal: 1/2000
Dwg: 6/6	Standard Details Plan , Sections & Details (Valve Chambers , House connections Type , Concrete Reinforcement , Trench Section Details)

# MREIJET Potable Water Network

## Legend

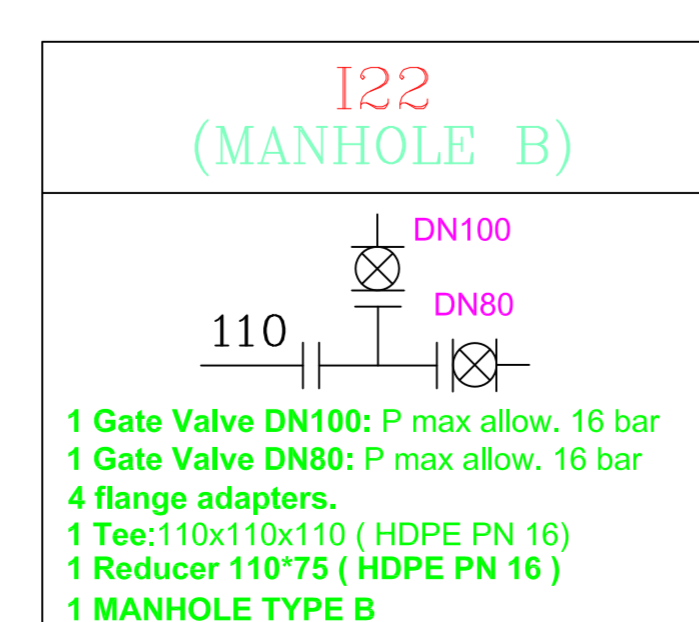
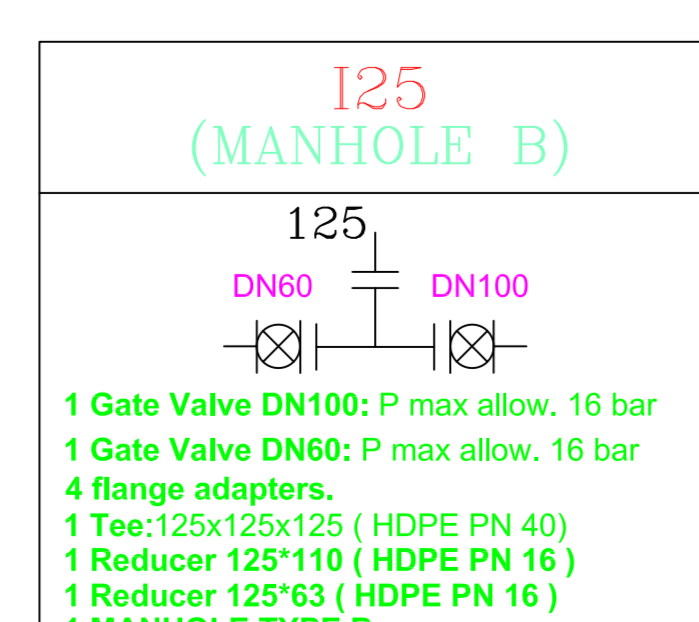
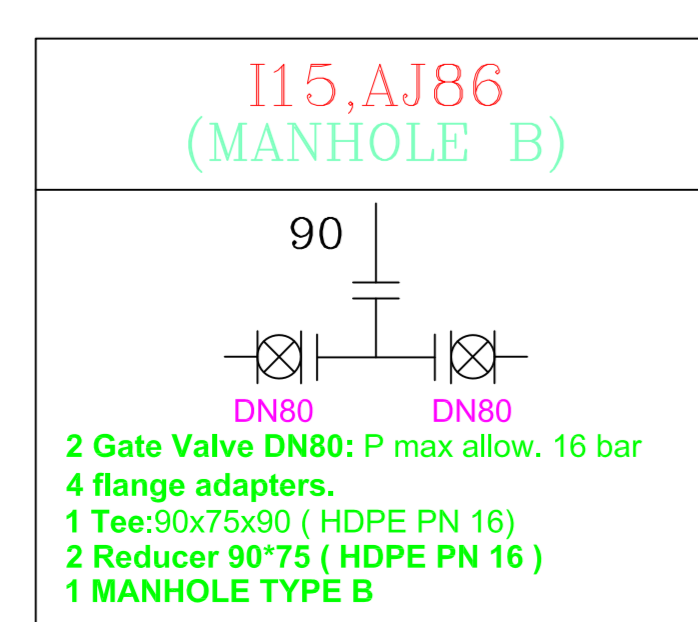
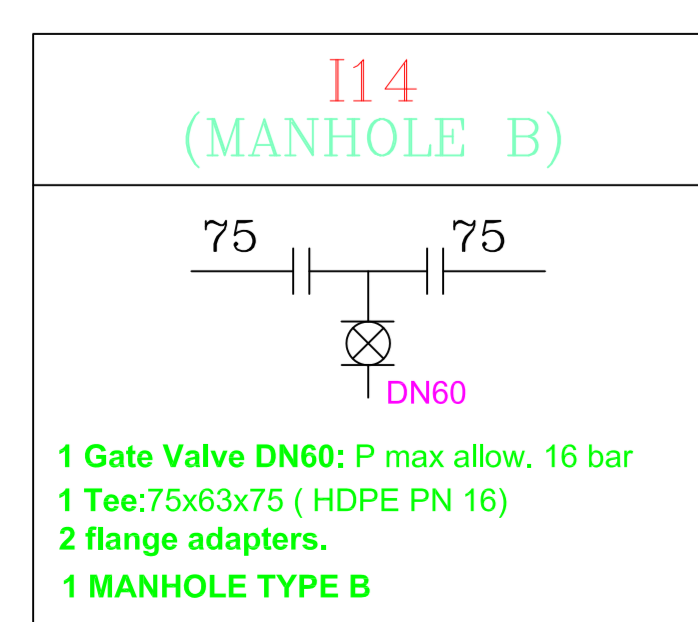
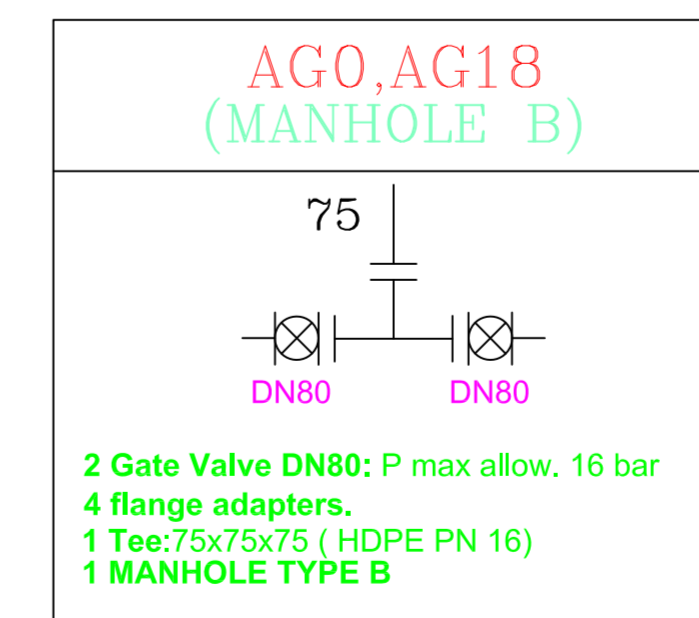
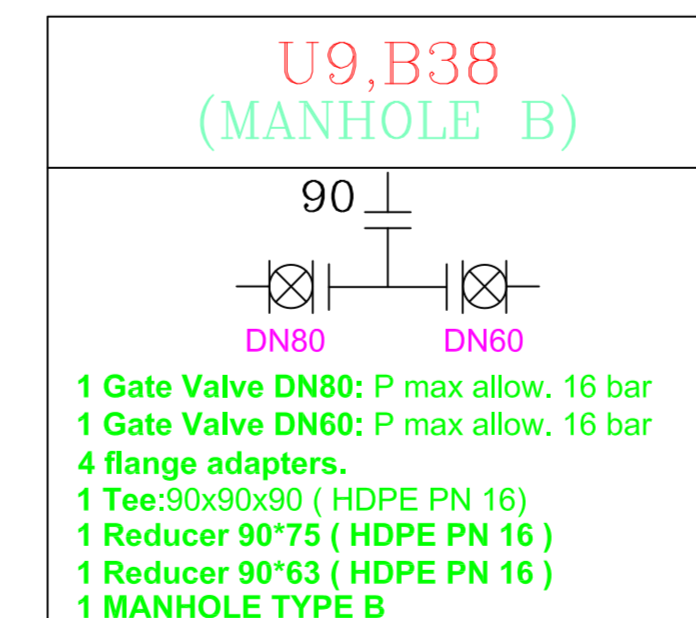
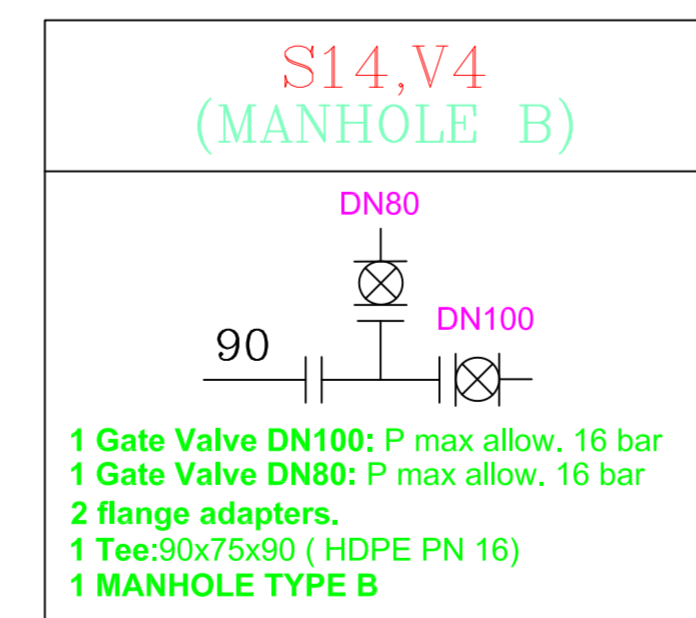
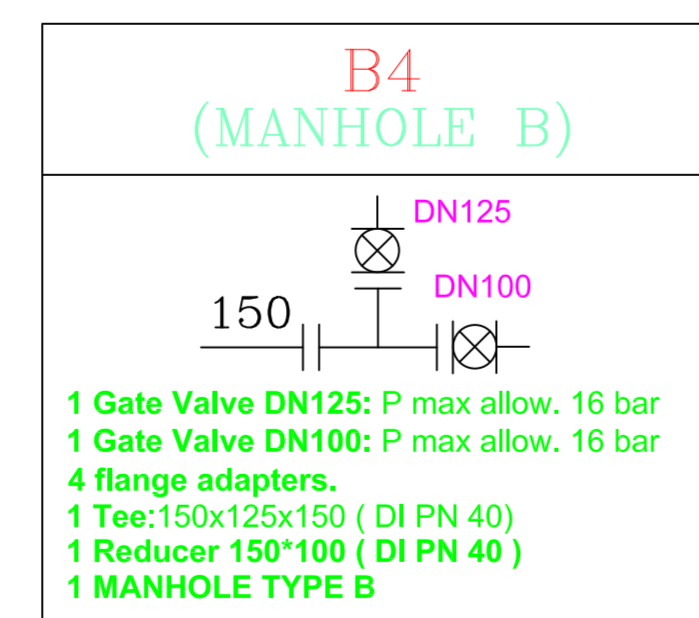
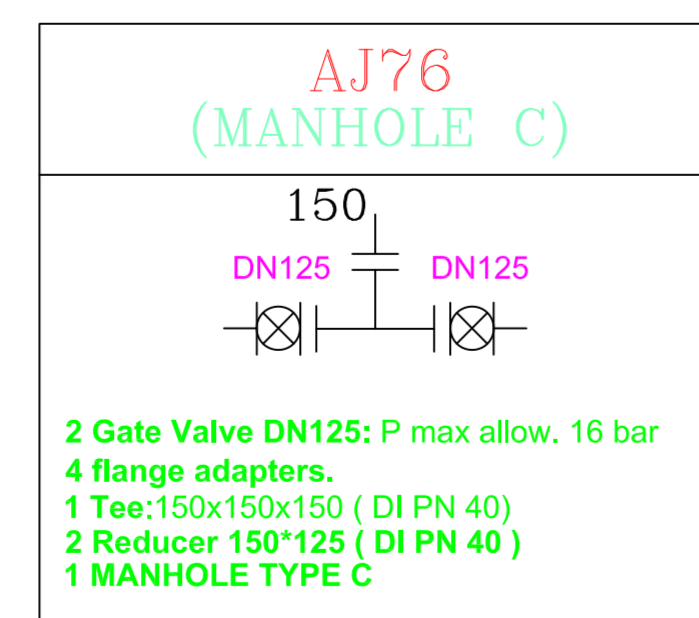
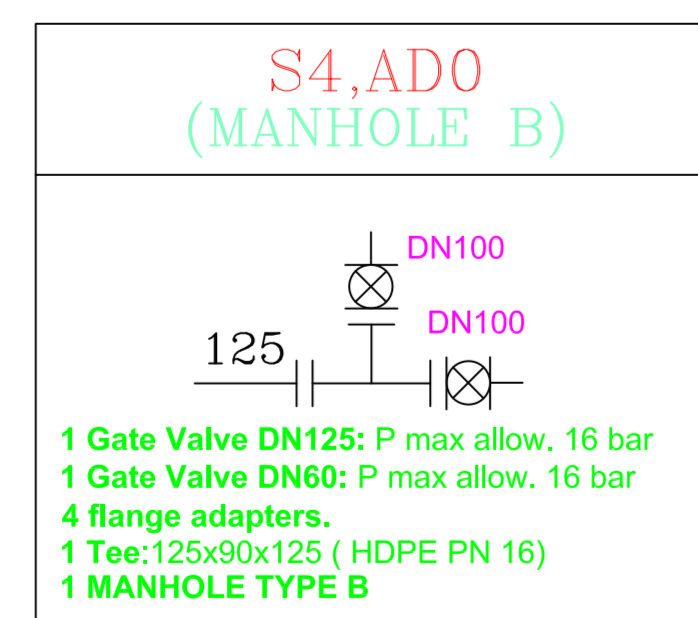
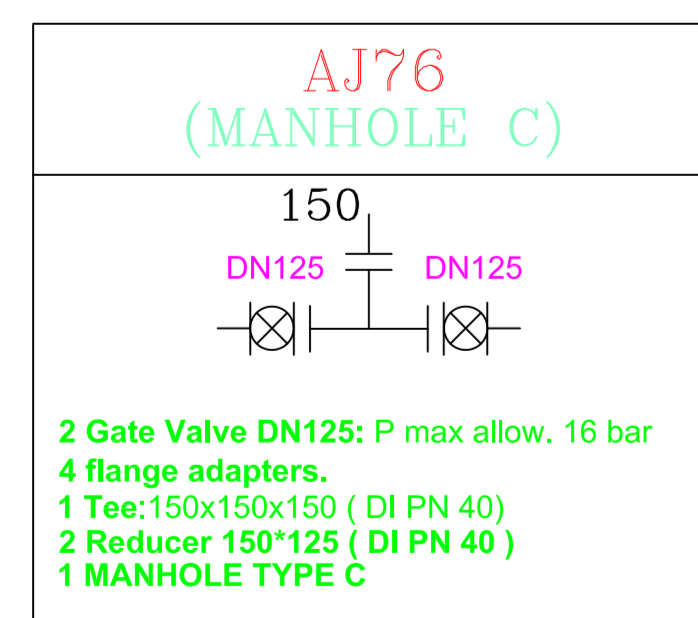
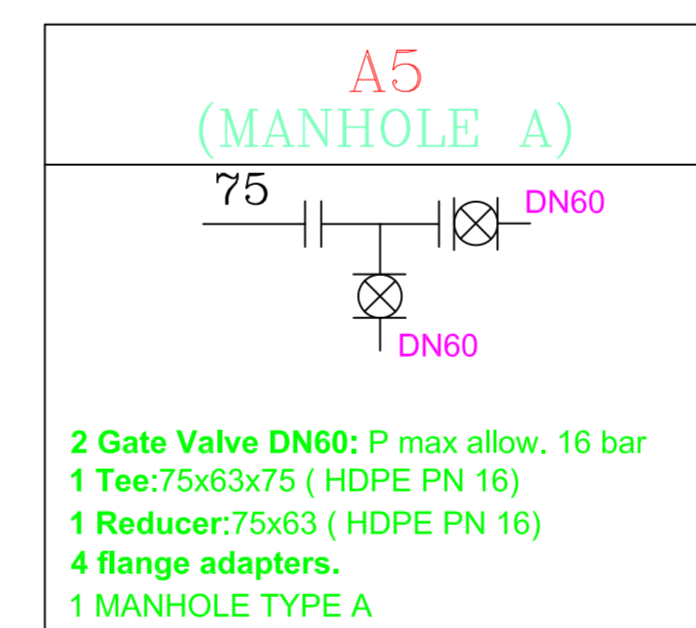
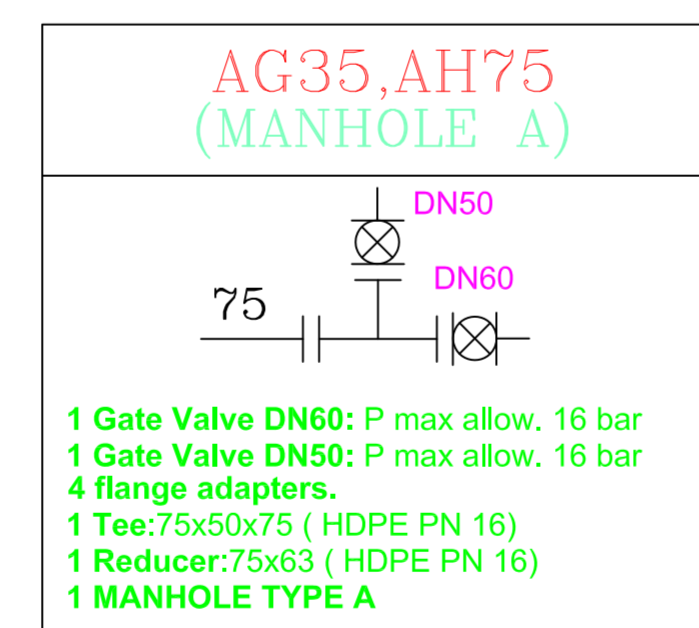
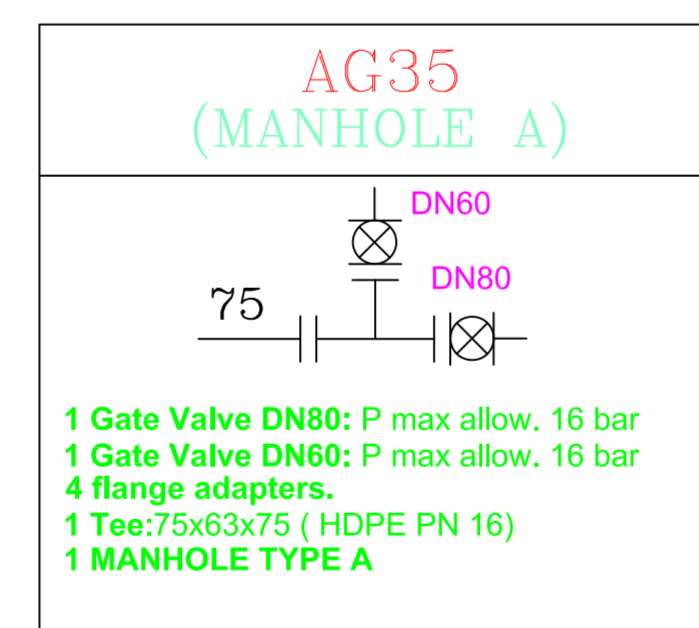
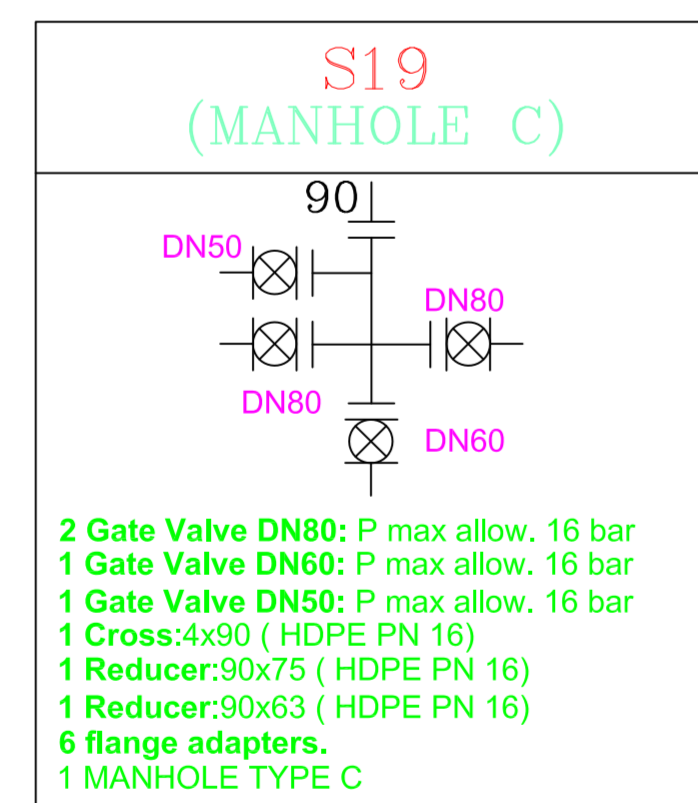
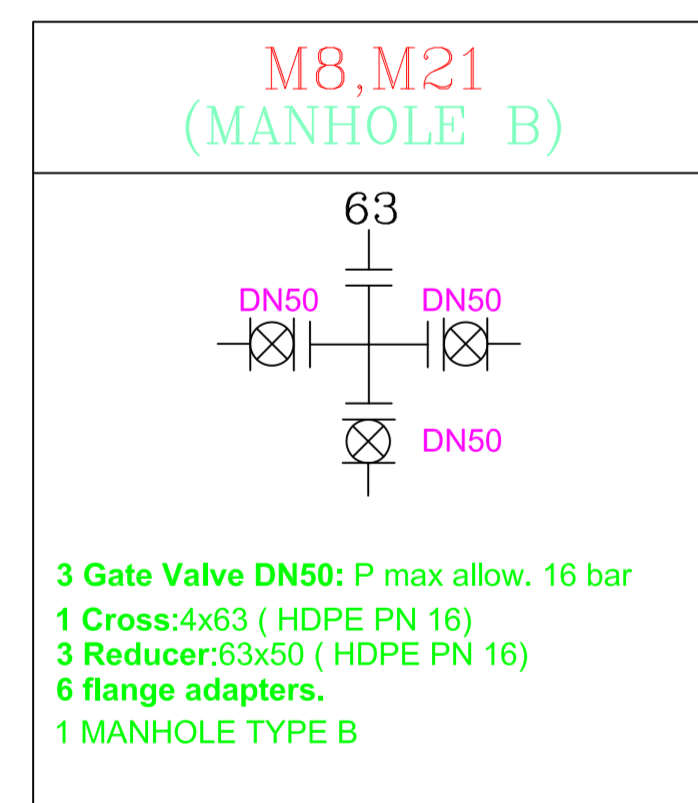
	PROPOSED NEW LINE		150mm Ductile iron pipe
	SEWER MANHOLE		125mm HDPE pipe
	WATER MANHOLE		110mm HDPE pipe
	ELECTRIC MANHOLE		90mm HDPE pipe
	GULLY		75mm HDPE pipe
	SPOT SURVEY		63mm HDPE pipe
	SURVEY STAKE		50mm HDPE pipe
	MANHOLE		Service Box
	ROAD		Valve Chamber
	BLDG		
	STAIRS		
	CANAL		
	SUMP LINE		





**LEGEND**

- 150mm Ductile iron pipe
- 125mm HDPE pipe
- 110mm HDPE pipe
- 90mm HDPE pipe
- 75mm HDPE pipe
- 63mm HDPE pipe
- 50mm HDPE pipe
- Service Box
- Valve Chamber
- SURVEY STAKE
- Manhole
- Service Box



**Lebanese Republic**

Ministry of Energy and Water  
 Directorate of Water & Electrical Resources

**MREIJET WATER PROJECT**

PROJECT: Construction of New Potable Water Network in MREIJET Village-Caza Zahleh	DATE: January 2018
DWG TITLE: Plan view -(MREIJET 1/1) Manholes Details	Designed By: N.Z.
SCALE: Plan : 1/2000	Drawn By: D.G.
	Approved By: N.C.
	Checked By: N.C.

REMARKS:  
 DRAWING SIZE A0

DWG NO: Dwg: 1/6
REVISION: DATE:











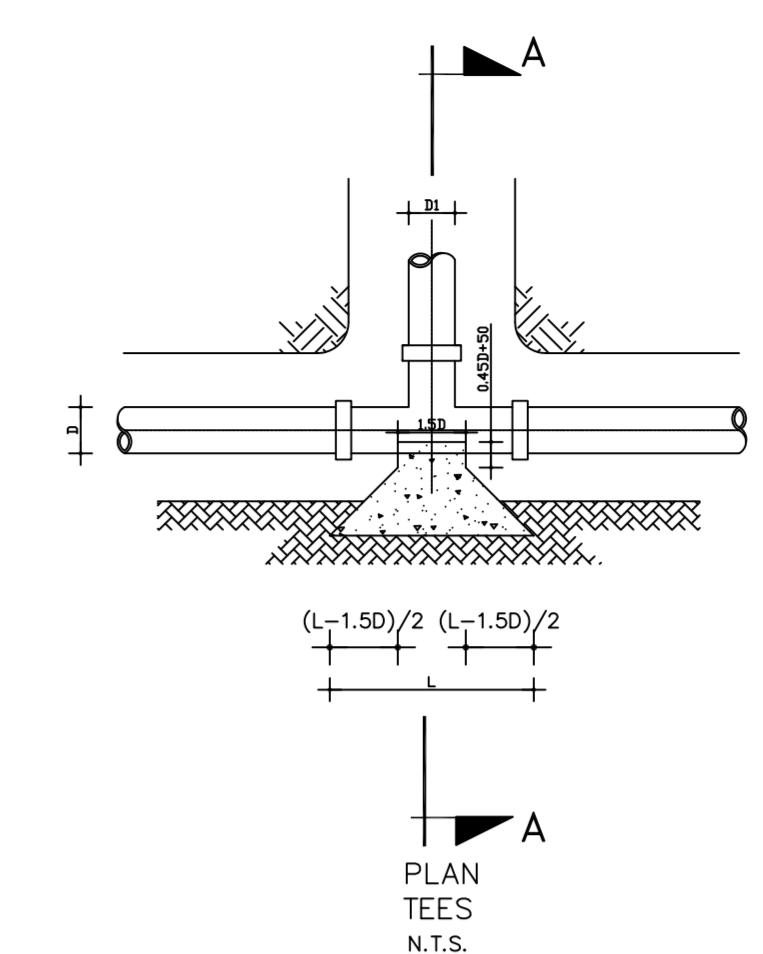
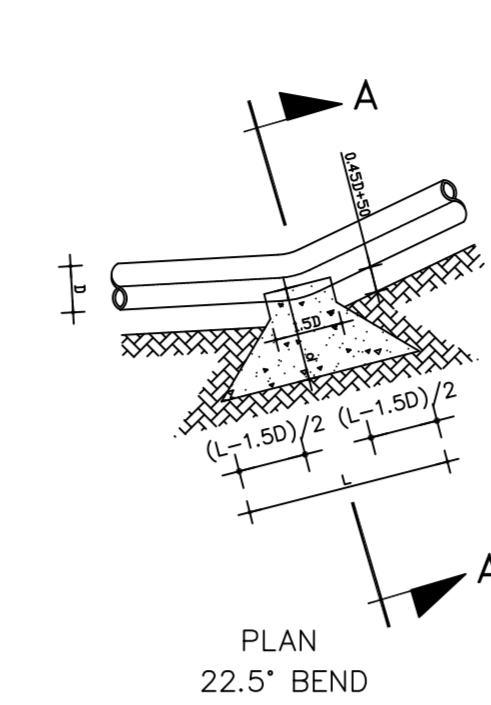
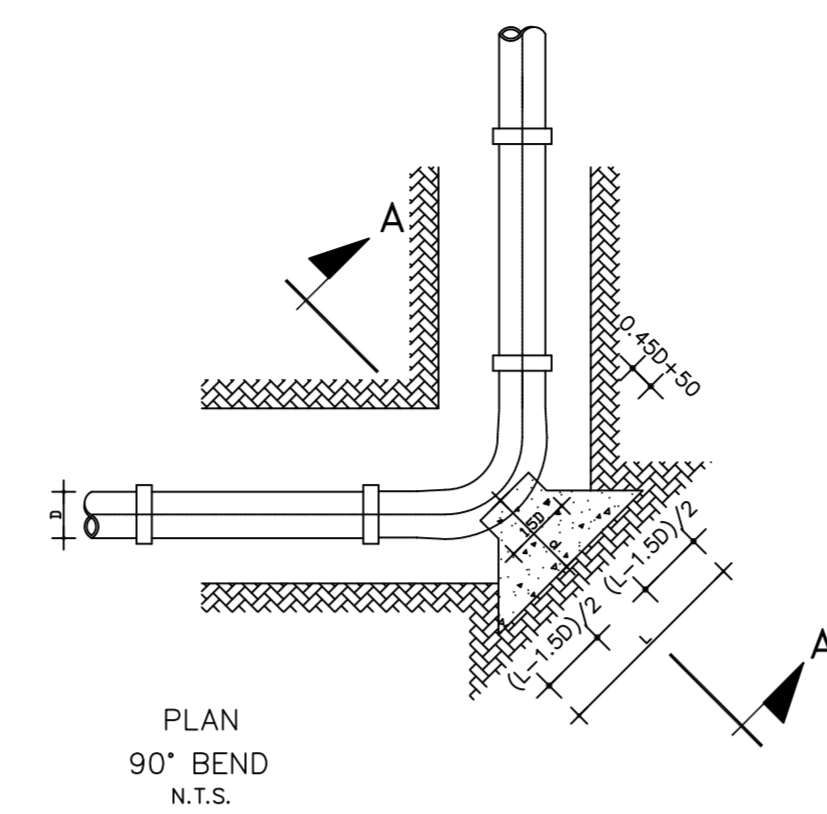
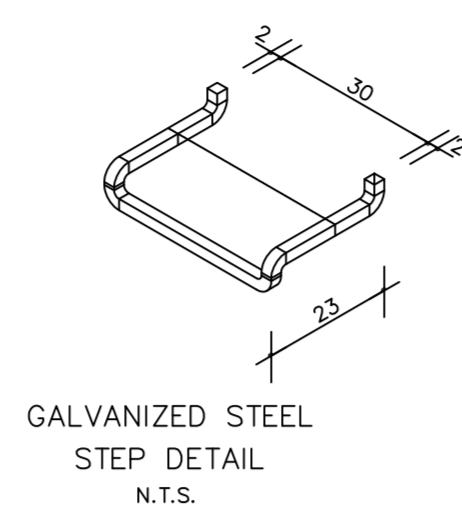
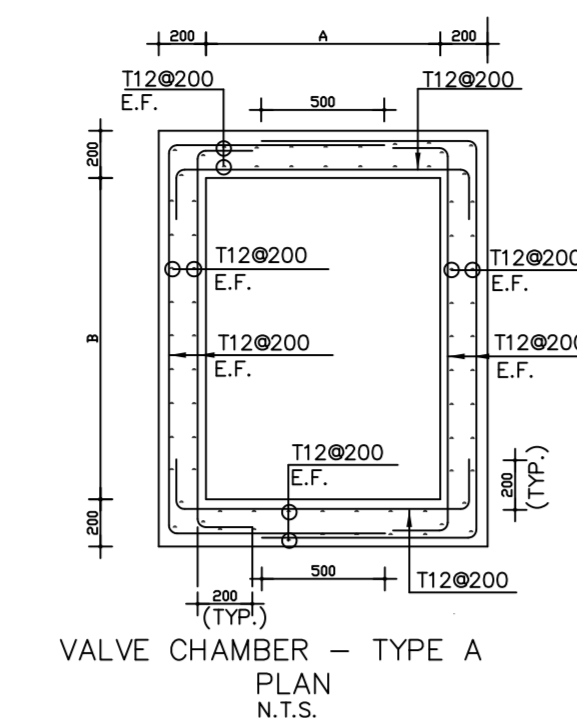
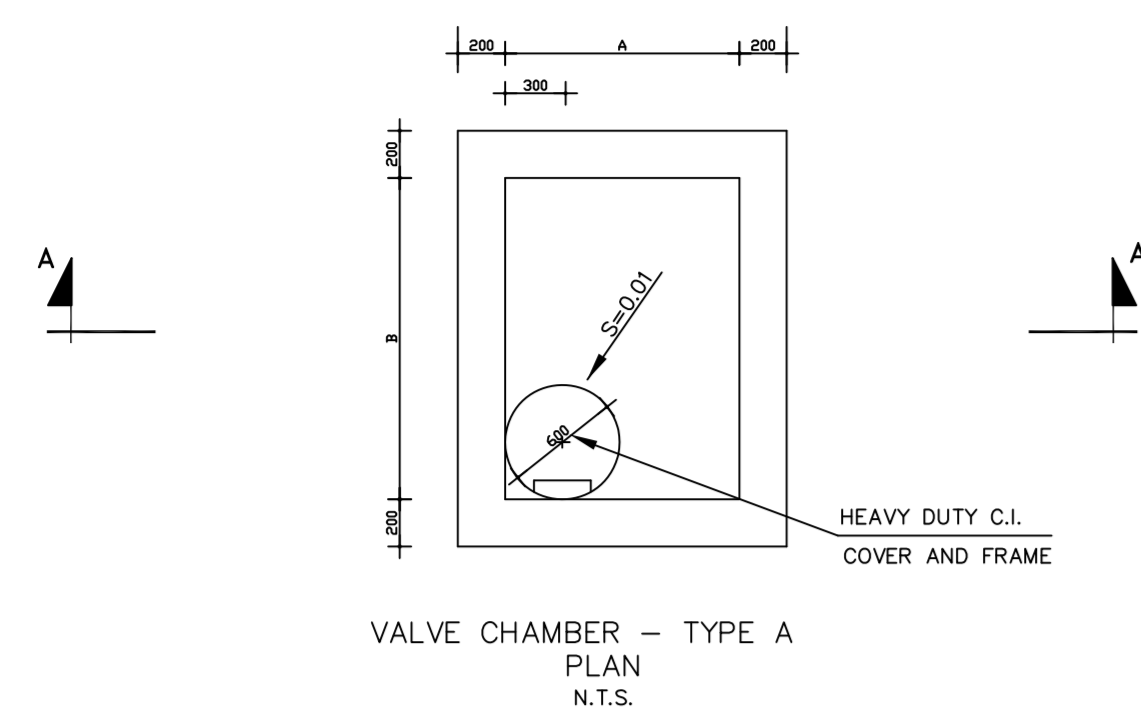




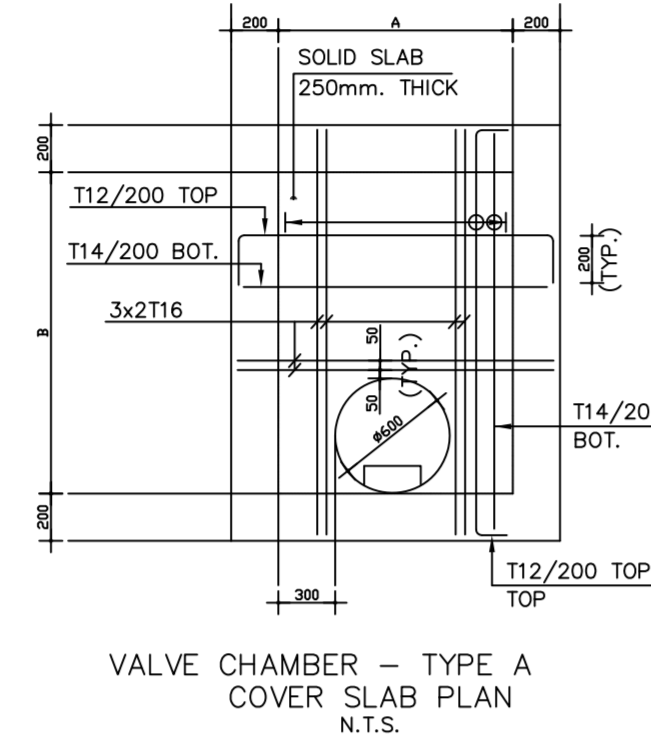
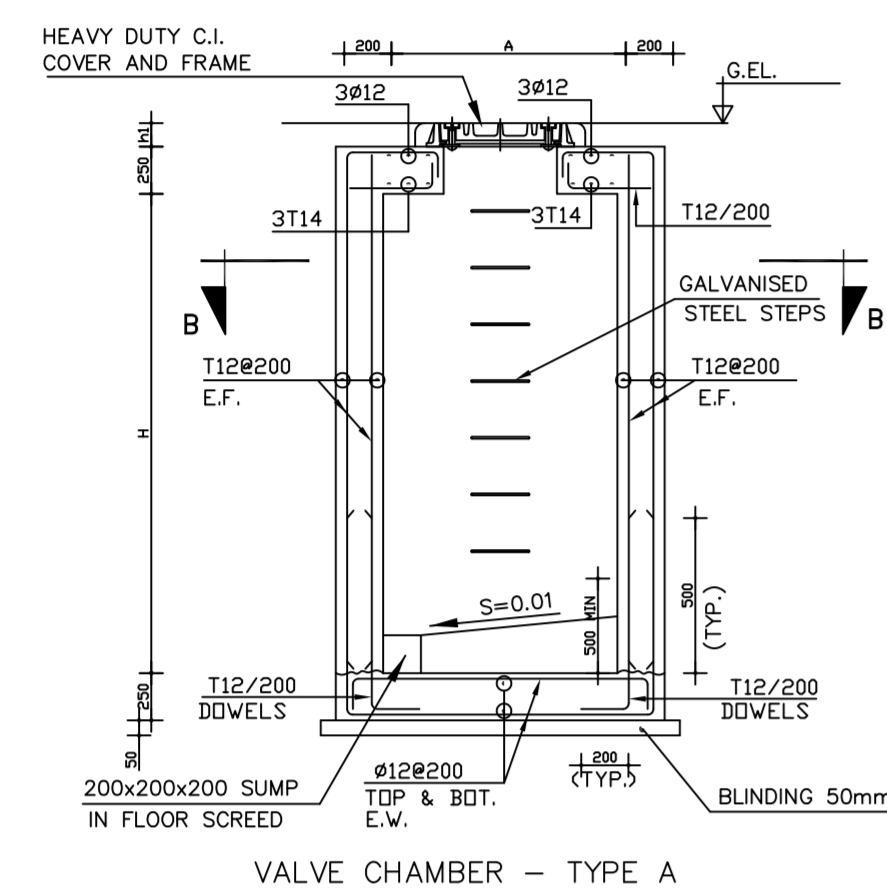






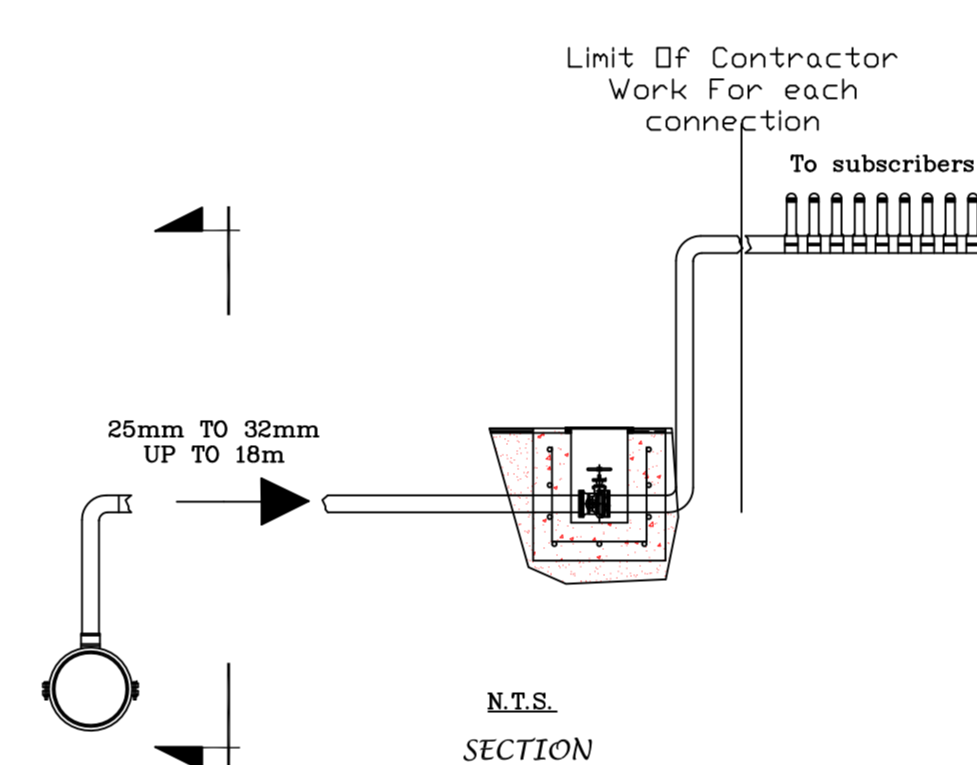
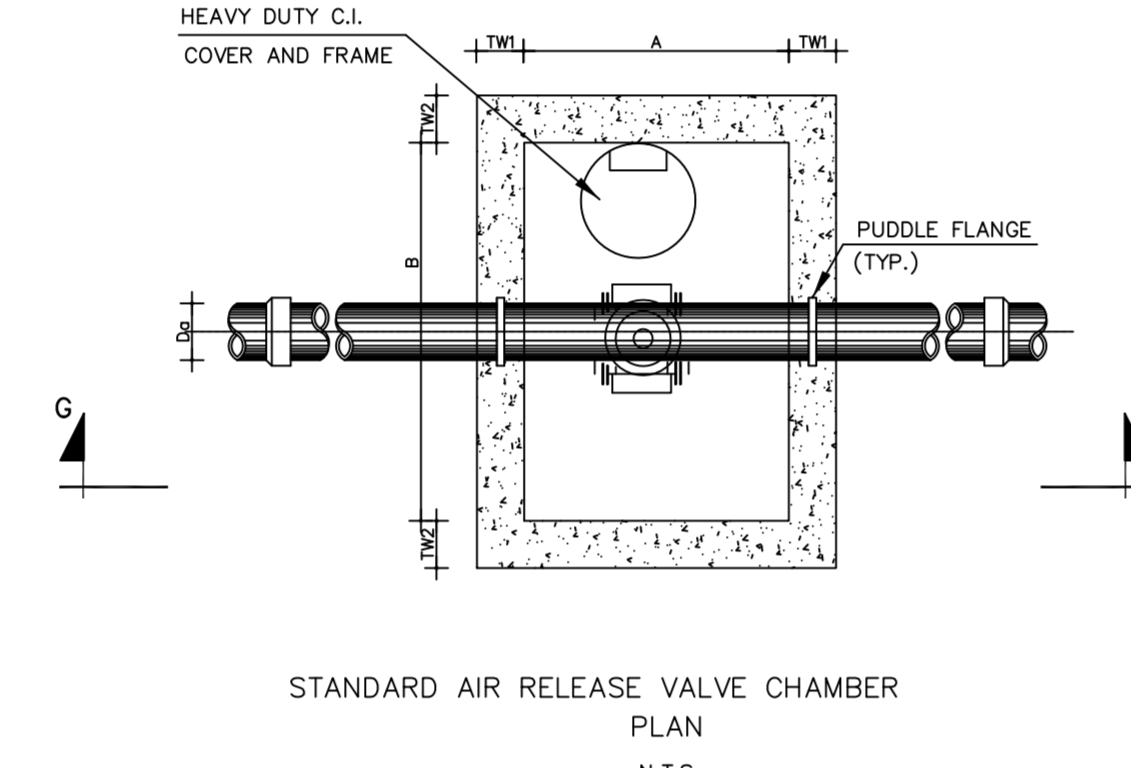
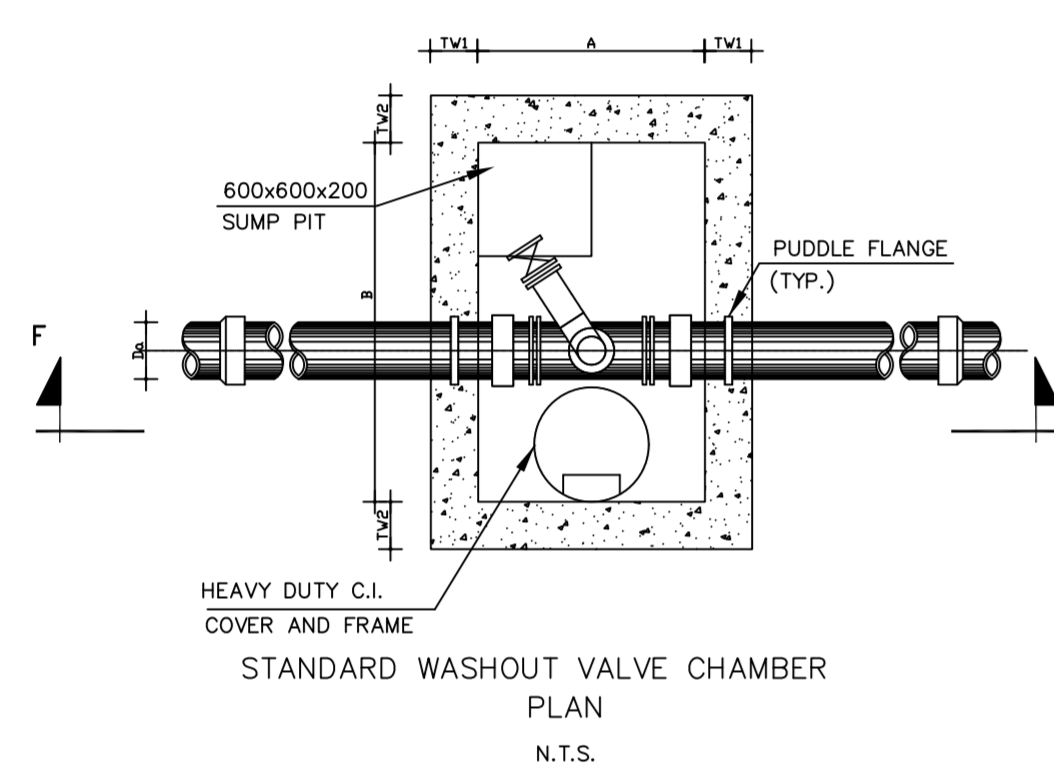
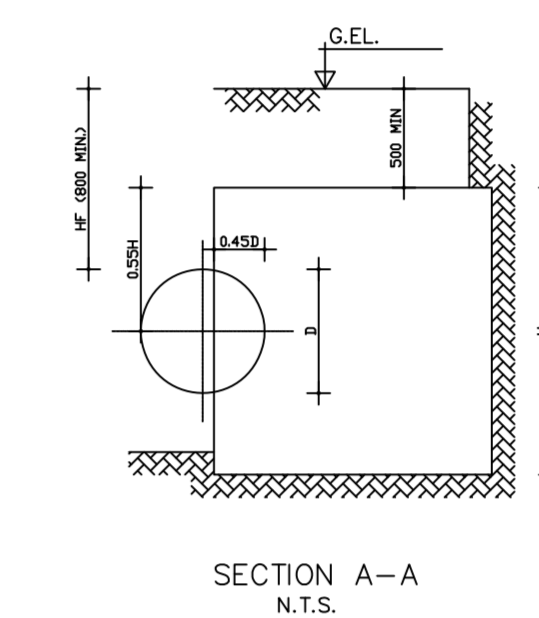
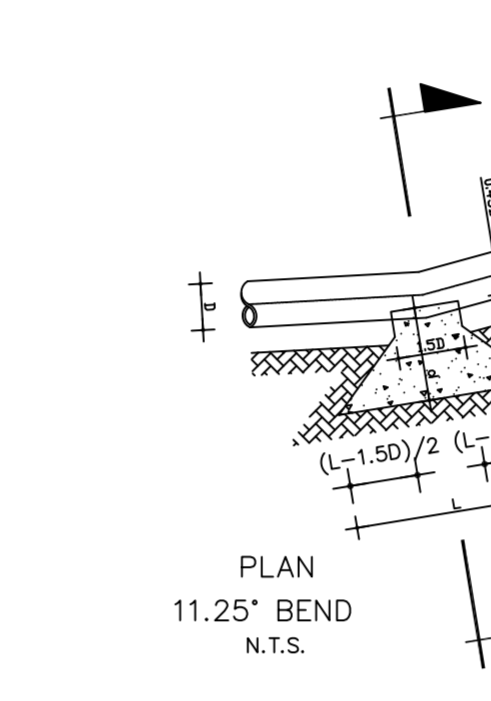
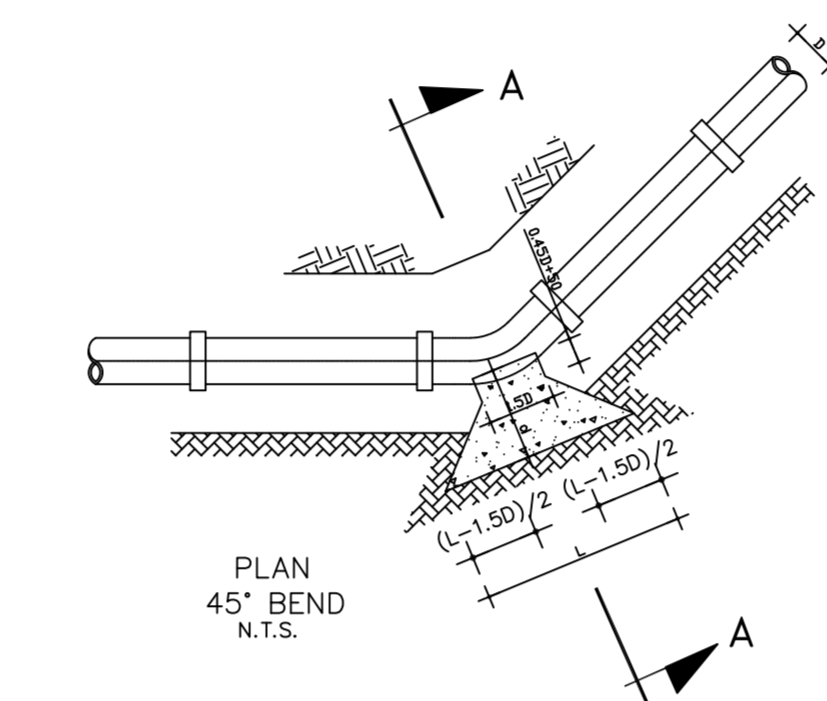


FOR BENDS 200 mm	H	L	d	v m3
11.25°	800	950	950	0.194
22.50°	800	1150	1150	0.343
45°	800	1400	1400	0.606
90°	800	1850	1850	0.970
FOR TEES	800	1500	1500	0.648



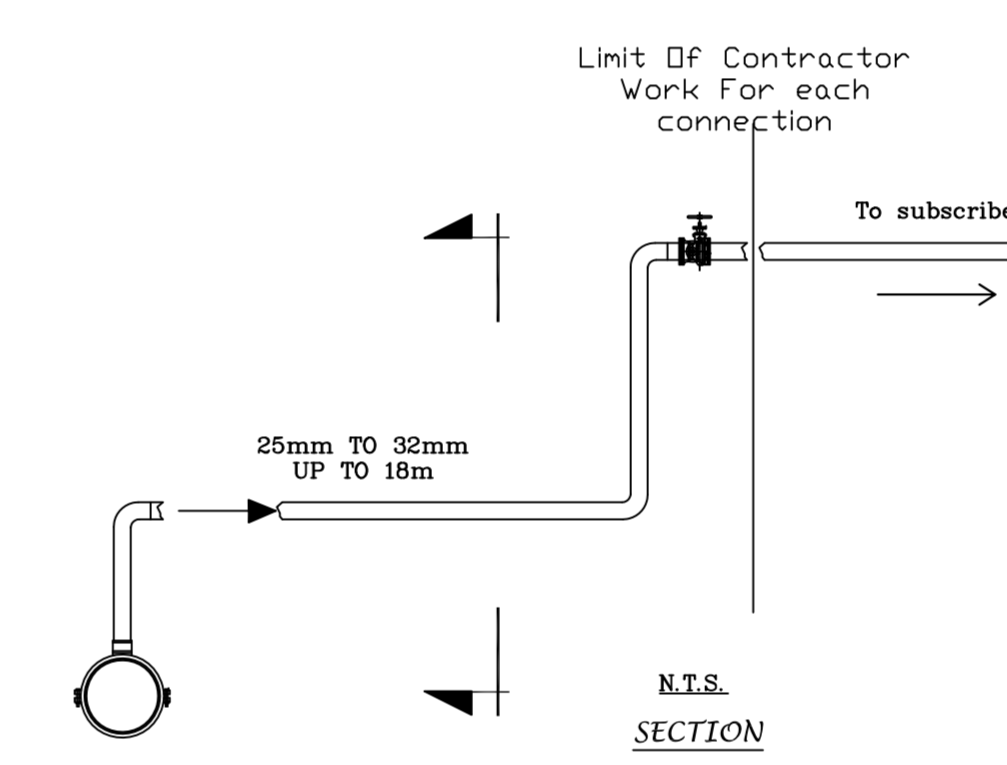
TYPE	DIMENSION A	DIMENSION B	Wall Thick	DIMENSION C	DIMENSION D
Type A	1000	1200	200	1500	2500
Type B	1200	1800	200	1500	2500
Type C	2000	2500	250	1500	2500

TABLE 1- VALVE CHAMBER DIMENSIONS



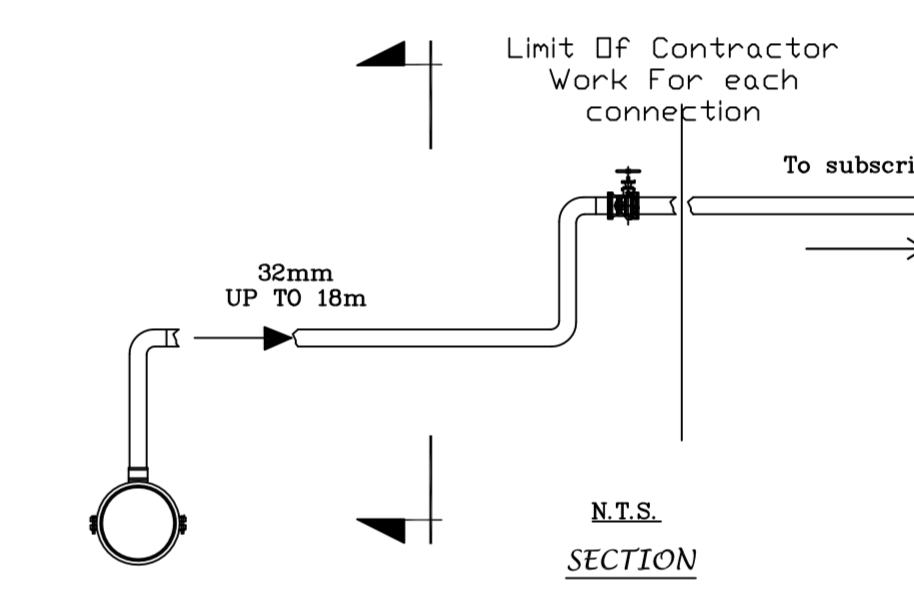
New Multiples House Connection For HDPE Pipes With Service Box (Bouche a Cle)

TYPE N2



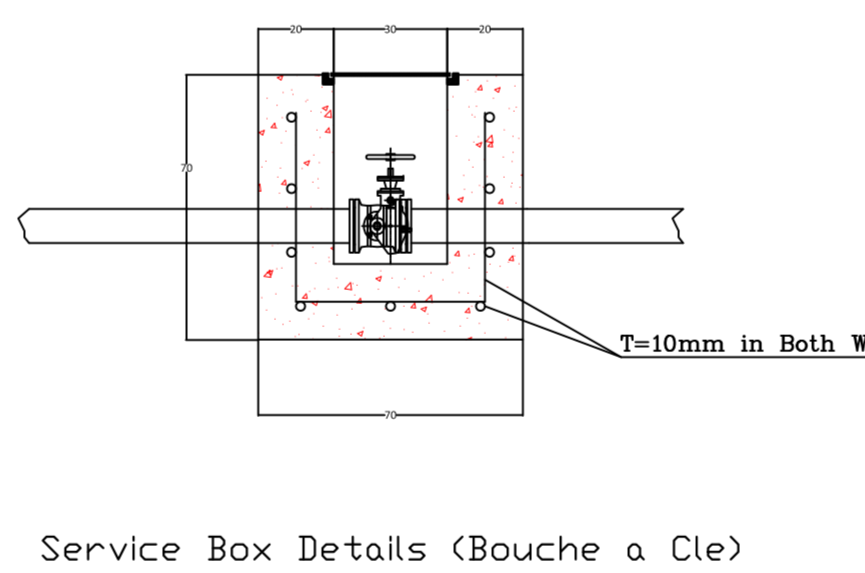
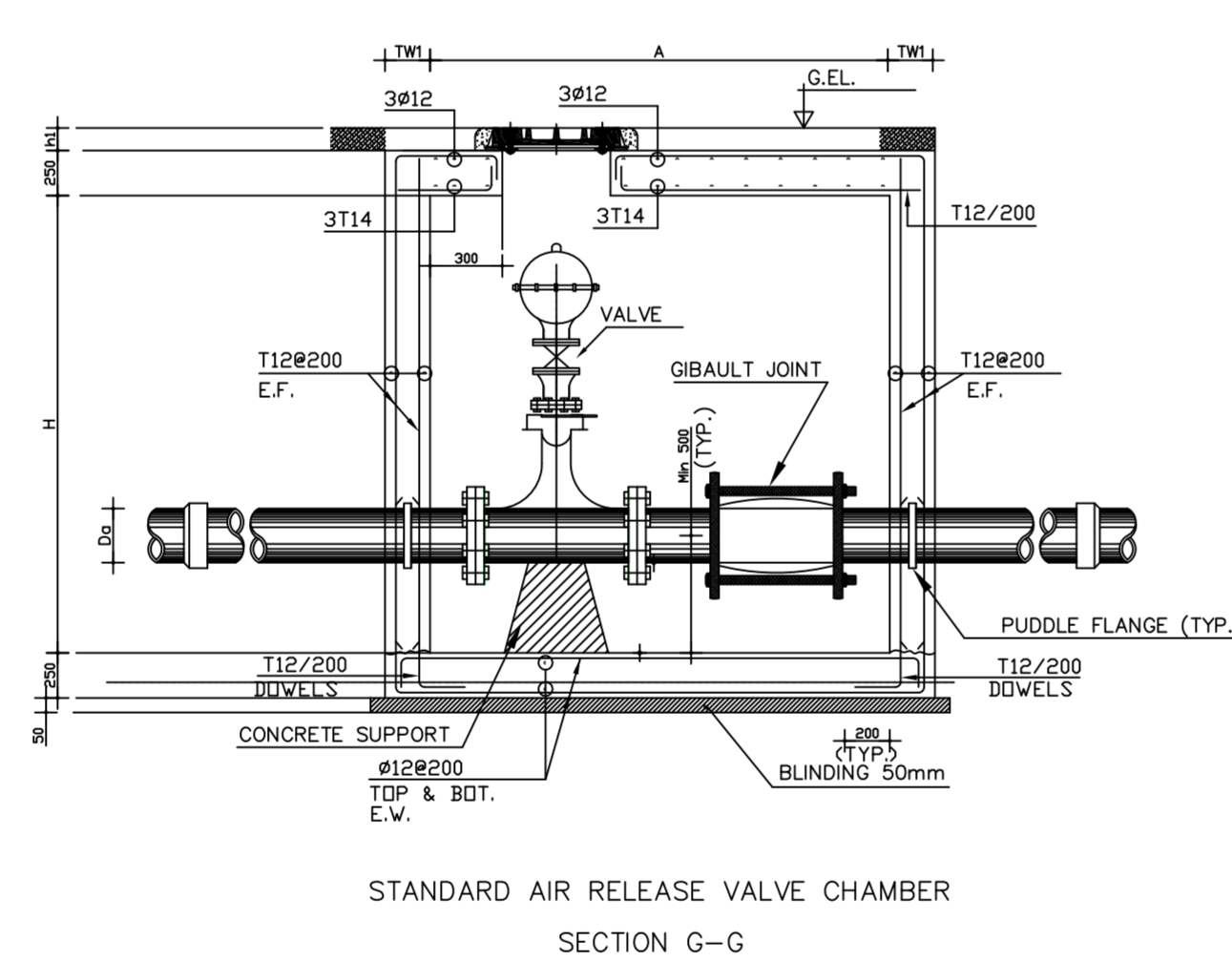
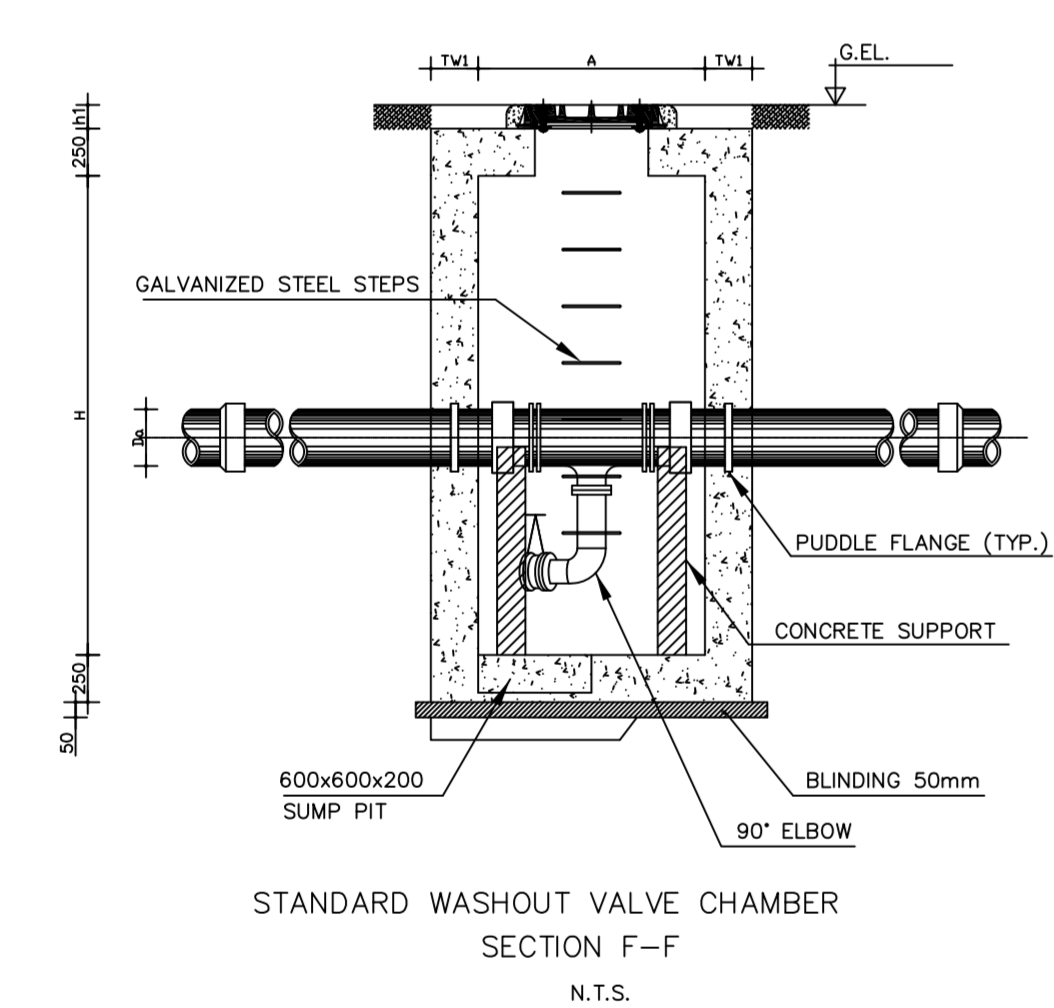
New Single house connection For HDPE Pipes

TYPE N3

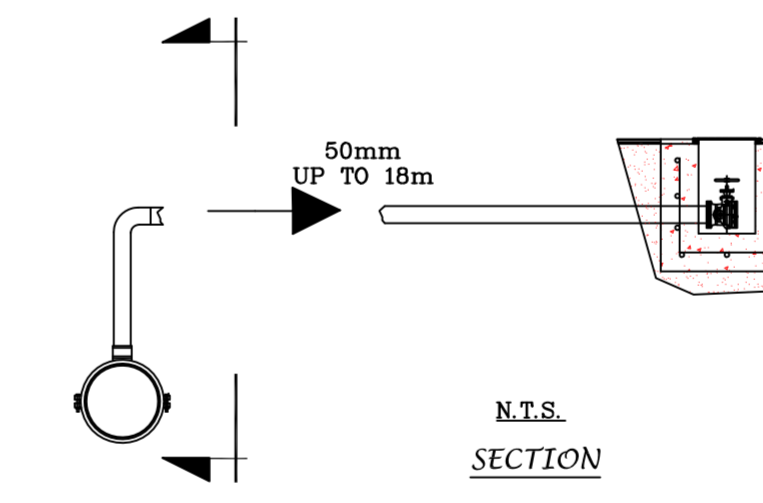


New Single House Connection From Ductile Iron Pipes

TYPE N1

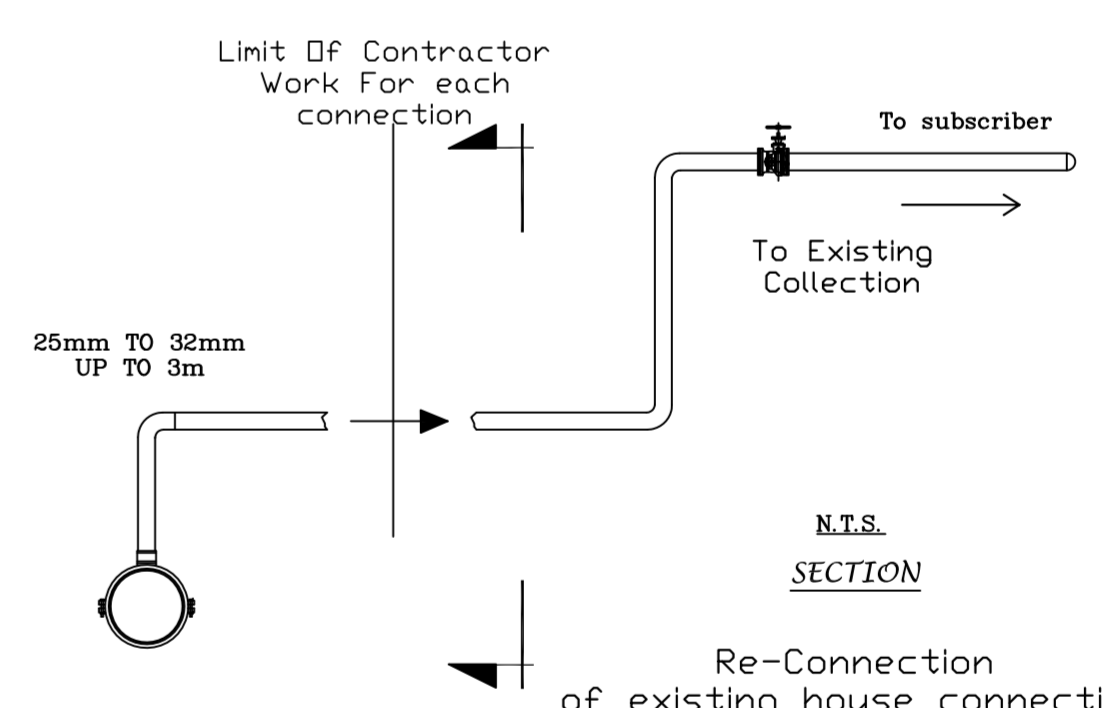


Service Box Details (Bouche a Cle)



Service Box (Bouche a Cle) For Future Connection (DI Pipes)

TYPE S

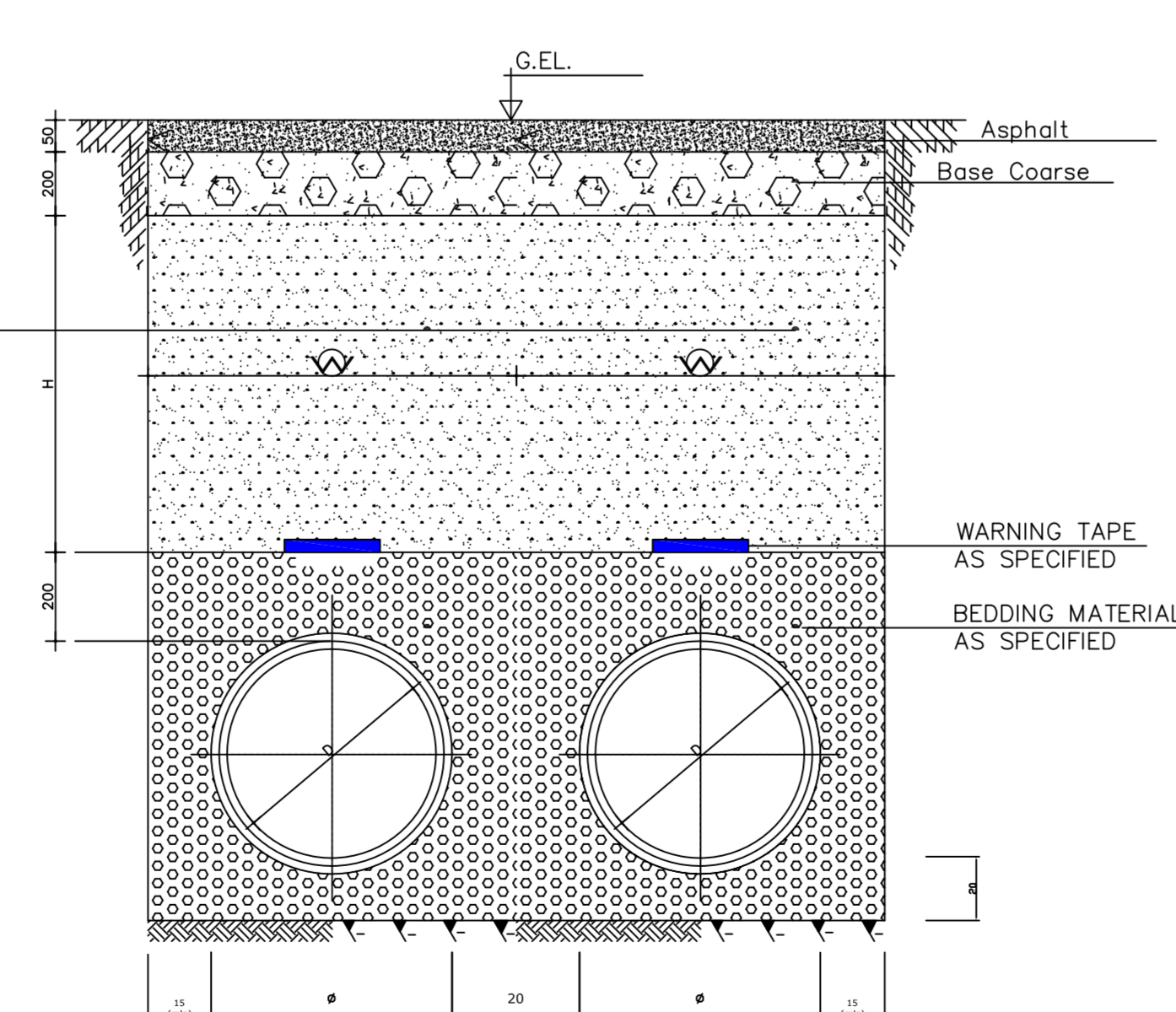


Re-connection of existing house connection

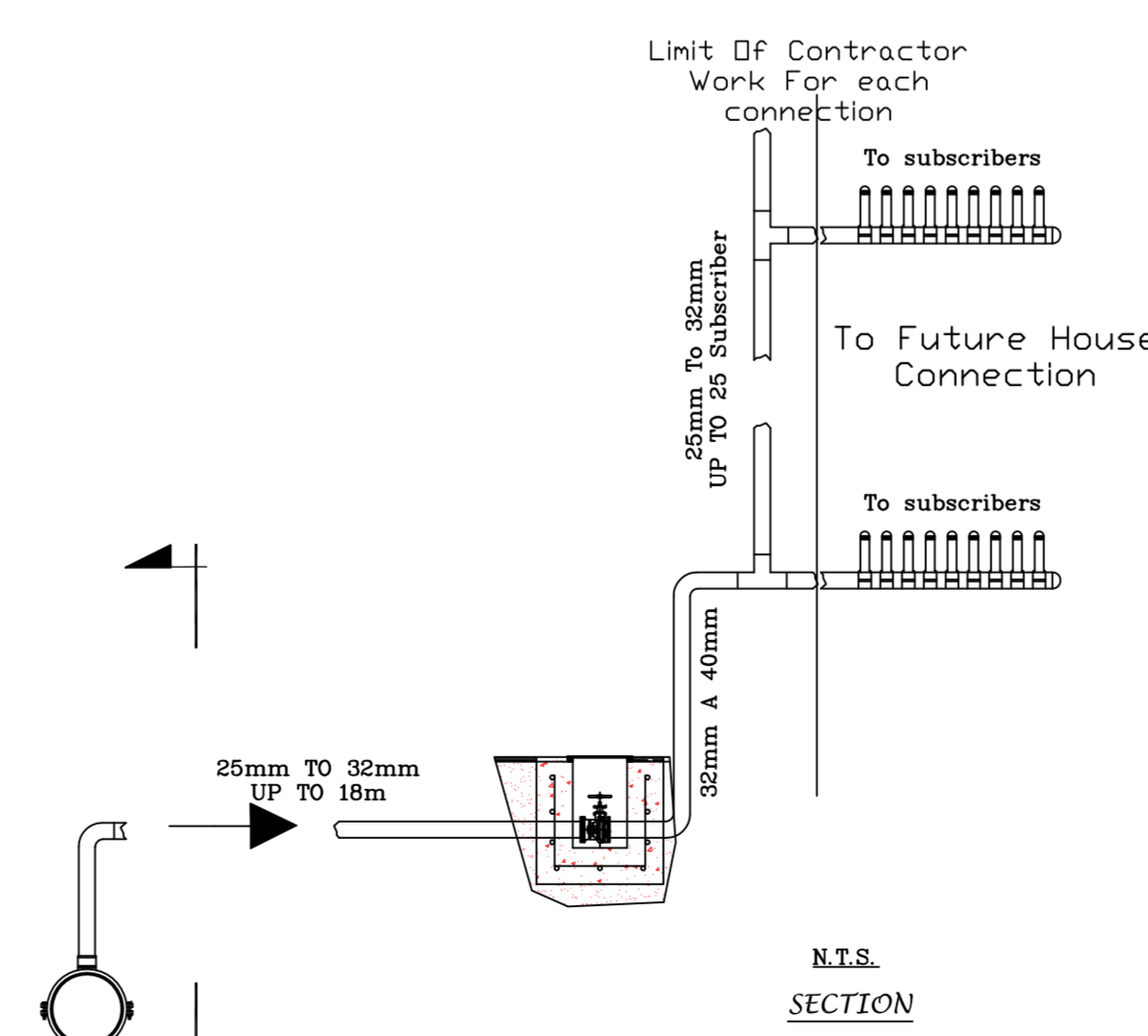
TYPE R1

PIPE DIAMETER (mm)	MIN. TRENCH W (mm)	MIN. TRENCH H (mm)	TOTAL MIN. HEIGHT ABOVE PIPE (mm)
50	500	200	650
63 - 110	550	350	800
125 - 300	D + D + 450	400	850

BACKFILLING MATERIAL (SELECTED FILL/FINE CRUSHED ROCKS OR ORDINARY FILL)

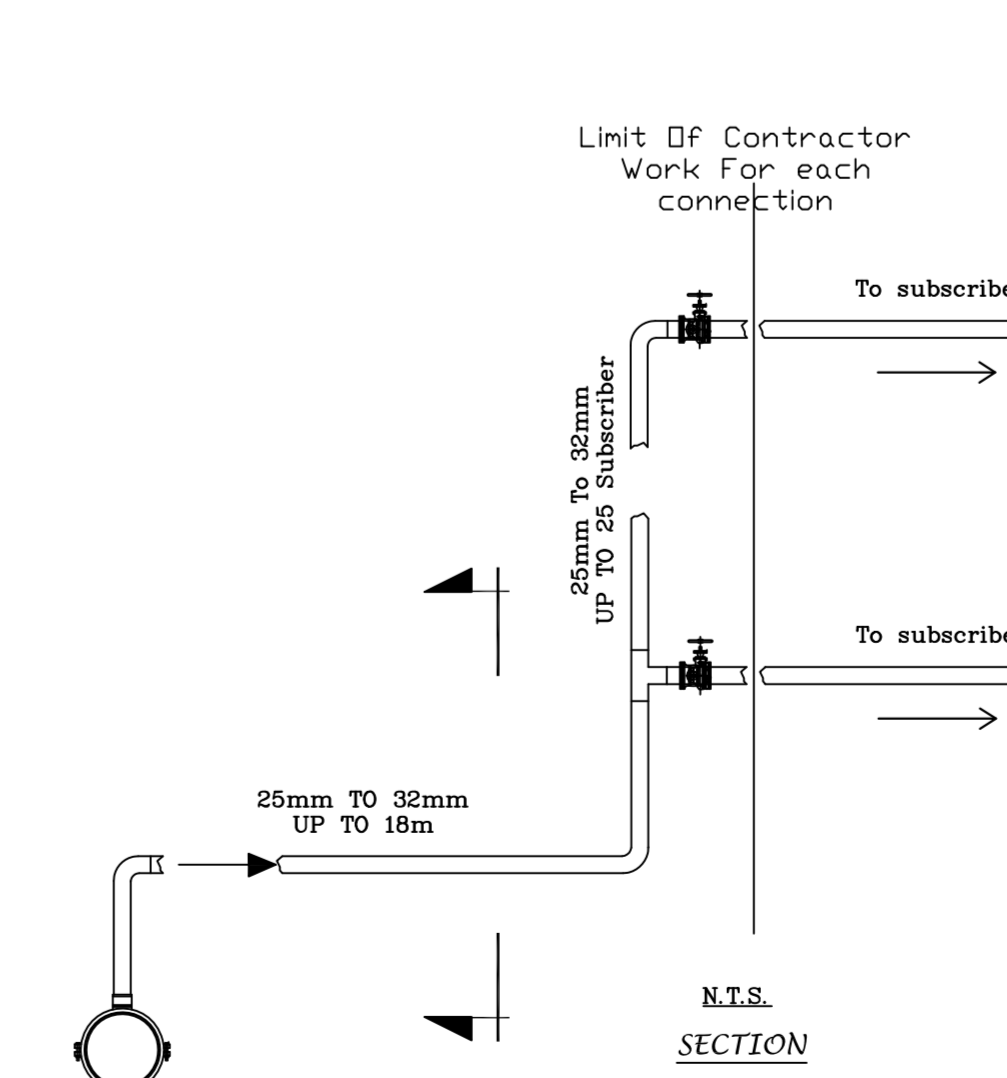


Typical Trench N.T.S.



New Multiples House Connection For HDPE Pipes With Service Box (Bouche a Cle) (In Road In Congested Residential Area)

TYPE N3-E1



New Single house connection For HDPE Pipes (In Road Shoulder)

TYPE N2-E1

# Lebanese Republic



Ministry of Energy and Water  
Directorate of Water & Electrical Resources

## MREIJET WATER PROJECT

PROJECT: Construction of New Potable Water Network in MREIJET Village-Caza Zahlieh

DATE: January 2018

DWG TITLE: Standard Details

Designed by: D.G.

SCALE: N.T.S

Drawn by: D.G.

REMARKS: DRAWING SIZE A0

Approved by: N.C.  
Checked by: N.C.

DWG NO: Dwg: 6/6

REVISION: DATE:

20180109\_UNICEF\_MoEW\_Mrejet Network Drawings\_V.0.0.4

unicef

UNICEF